

# CABINET TEMP CLIMATE- HORIZONTAL & VERTICAL

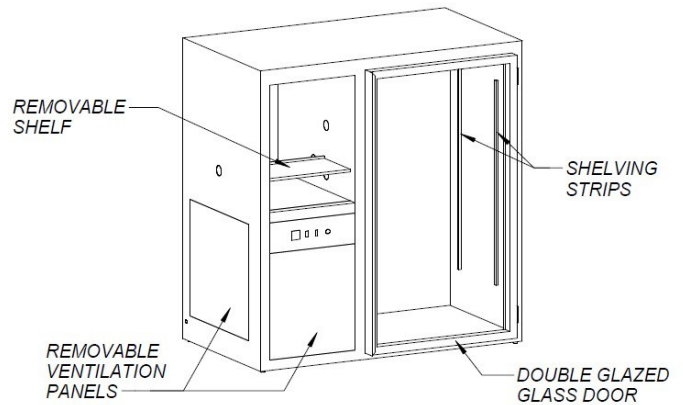
101-V0173-H0820  
101-V0173-V0820  
101-V0173-V0630H



Product Code	Product Title	External	Internal
101-V0173-H0820	820L- TEMP HORIZONTAL	1410W x 1470H x 850D	795W x 1370H x 750D
101-V0173-V0630	630L- TEMP VERTICAL	800W x 1850H x 850D	700W x 1300H x 700D
101-V0173-V0630H	630L- TEMP & HUMIDITY- VERTICAL	800W x 1850H x 850D	700W x 1300H x 700D

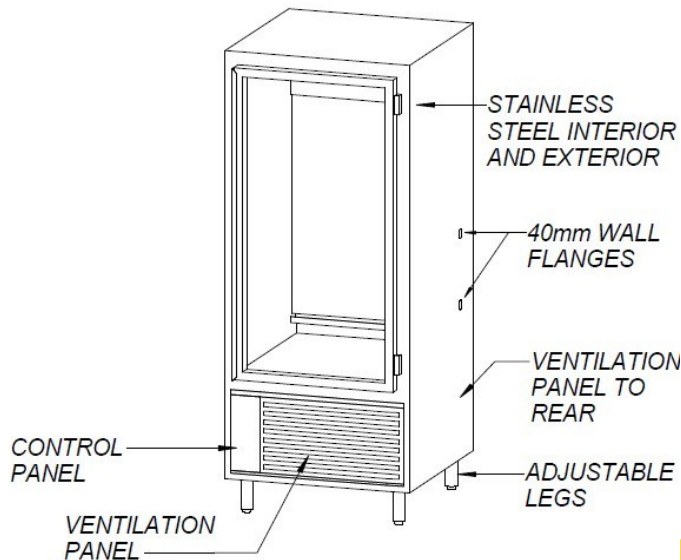
## 101-V0172-H0820 -TEMP HORIZONTAL 820L

Standard Horizontal configuration environmental Chamber  
Configured with the compressor on the Left side of the chamber  
Designed to be placed on existing laboratory benches 900D.



## 101-V0172-V0630 - TEMP- VERTICAL 630L

## 101-V0172-V0630H - TEMP & HUMIDITY- VERTICAL 630L



Environmental Chamber with temperature and Humidity control.

Standard Vertical configuration environmental Chamber  
Configured with the compressor under the chamber  
Designed to stand alone on the floor of the lab.

All Models include Glass front window  
Specification  
Temperature range +2C to +60C  
Power 240V 50Hz 15A



**101-V0173-Z9950**

CABINET TEMPERATURE CLIMATE MOBILE TEMPERATURE PROBE FOR 101-V0173-SERIES

**101-V0173-Z9960**

CABINET TEMPERATURE CLIMATE PC INTERFACE RS485, RS232